

WORK  
SCALE.  
DESIGN

Ws.D Jupiter

MEETING AND BREAKOUT CHAIR





## VERSATILE VISITOR SEATING

The padded seat and moulded shell make it suited for a range of workspaces

## ITALIAN DESIGN

Designed by Sandona and Bettini



## BASE OPTIONS

- Sled Base
- 4-Star Base (Metal)
- 4-Star with Castors
- 5-Star with Castors
- 4-Legs Base
- 4-Leg Base (Wood)







SLED BASE



4-STAR BASE



4-STAR WITH CASTORS



5-STAR WITH CASTORS

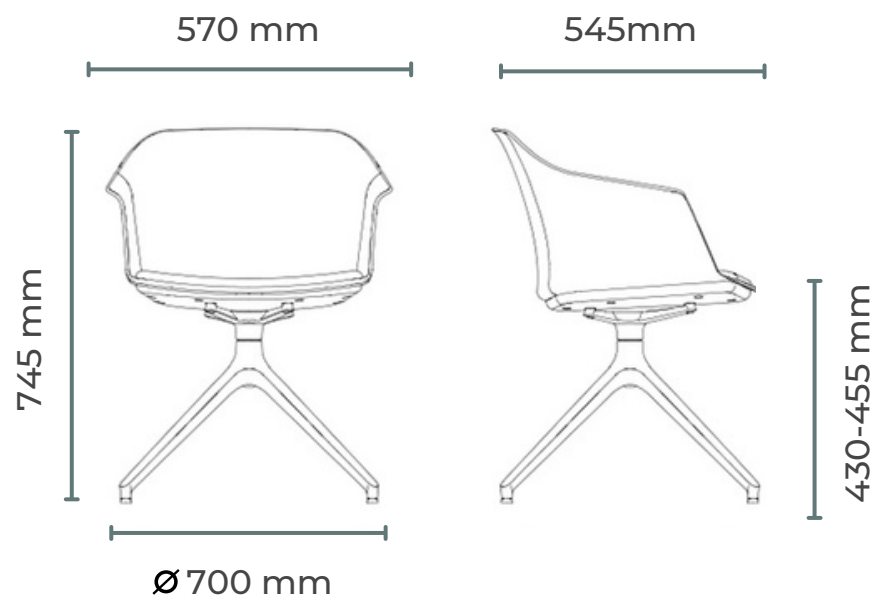
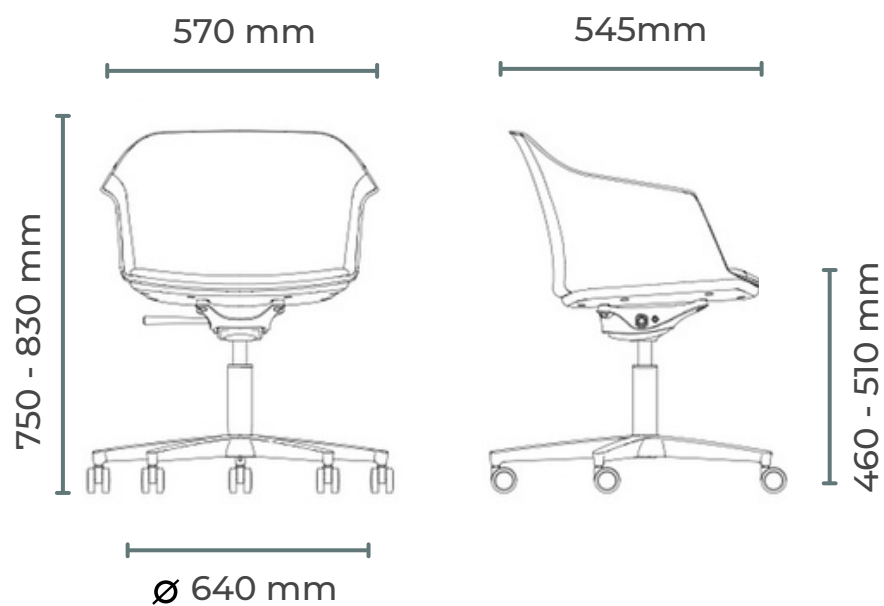
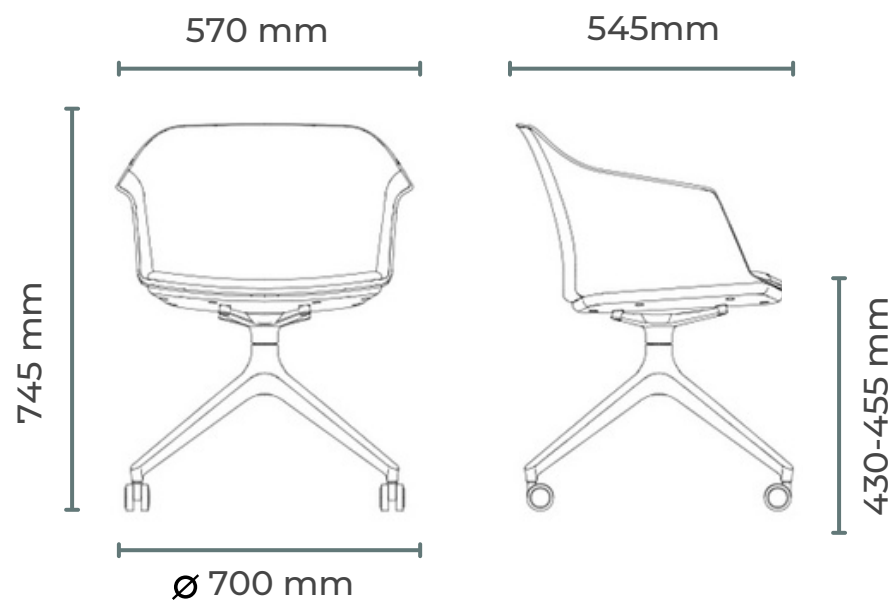
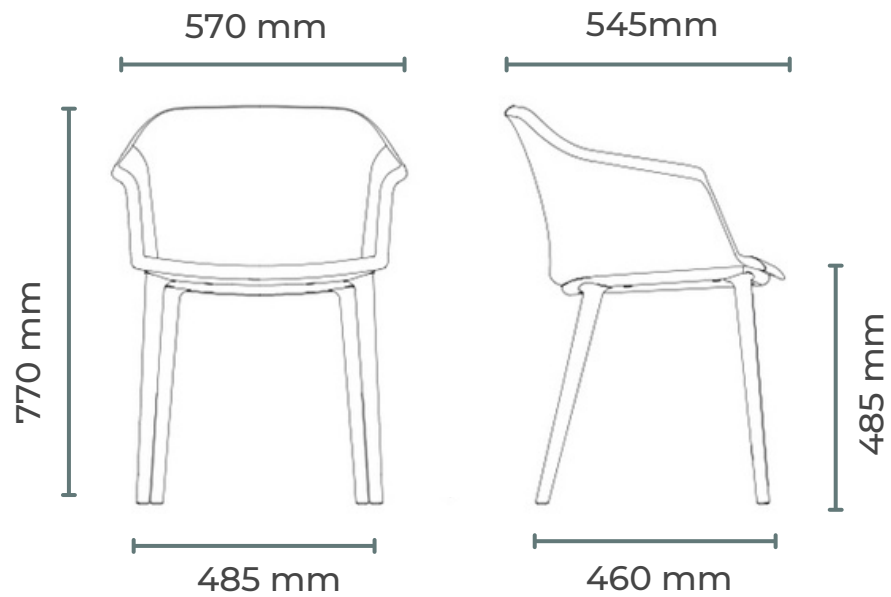


4-LEG PLASTIC BASE



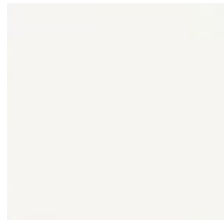
4-LEG WOOD BASE

# DIMENSIONS

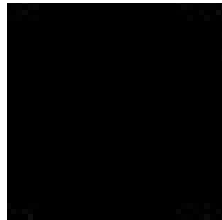


# FINISHES

## Standard Shell



EM WHITE



NR BLACK



SC GREEN



SD TEAL



ST ROSE

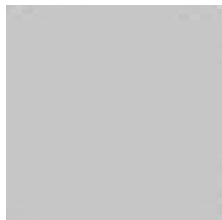


E7 TAN

## Rinasco 100% Recycled Shell



NRR BLACK

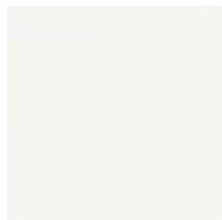


QG GREY



QI ORANGE

## Base



EM WHITE



NR BLACK



ALUMINIUM

*\*Please enquire with sales team for seat pad and upholstery options*





## SUSTAINABILITY

Designing new polymers made entirely from recycled materials and imagining a better future. The main intention is to design these newly developed polymers ourselves – and then to manufacture them – instead of using products already developed by others. This has enabled us to join the ranks of those conducting real research in the green sector, to make its contribution to improving this field of study that is so important for the future.

### COMPONENTS DERIVED FROM INDUSTRIAL OR CONSUMER WASTE

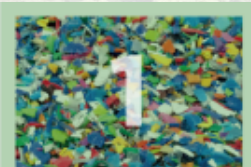


**RECYCLED POLYPROPYLENE (PP)**  
Minimum 60% recycled materials



**RECYCLED POLYAMIDE (PA)**  
Minimum 30% recycled materials

# RINASCO PLASTIC



A mixture of recycled materials that include both regenerated polymers of post-industrial and post-consumer origins are collected.



Post-consumer waste comes from selected waste such as packaging, textiles, toys and similar and represents approximately 50% of overall regenerated polymers.



The selected materials are checked and sent to specialist laboratories where they are further examined ensuring it reaches the required quality standards.



The resulting polypropylene is then reinforced with fiberglass and the end-polymer is structurally identical to virgin plastic of the same type (PP-FV).



This material is used for manufacturing chairs and the factory is CSI/IMQ certified as a result of this innovative approach.

# WORK SCALE. DESIGN

Unit A, 82 James Carter Road,  
Mildenhall Industrial Estate  
Suffolk  
IP28 7DE  
United Kingdom

[sales@workscale.design](mailto:sales@workscale.design)



[workscale.design](https://www.workscale.design)



0044 20 8068 8098

