

WORK
SCALE.
DESIGN

WS.D KEY

DESKING + TABLES



Ws.D Key Bench Desking

Customisable, sleek, and designed for productivity. Style meets function, perfectly tailored to your needs.



Ws.D Key Meeting Tables

Adaptable, stylish, and tailored to any space. From offices to breakout areas, versatility meets design excellence.



Ws.D Cylinder Base Tables

versatile, customisable, and designed for sophistication. Perfect for meeting rooms, breakout areas, and beyond



Ws.D Key Bench Desking

Versatile and customisable solution for modern workspaces. With a range of finishes, dimensions, and options like Back-to-Back setups and privacy screens, it adapts effortlessly to open-plan offices, executive suites, or home setups. Seamlessly integrate functionality and style with features like cable management, creating a cohesive, clutter-free environment where form meets function.

Technical specifications

Top: 18mm melamine

Leg Style: Open, Closed, A Frame

Leg Material: Powder Coated Metal

BENCH



SINGLE





Your Workspace Your Leg Styles

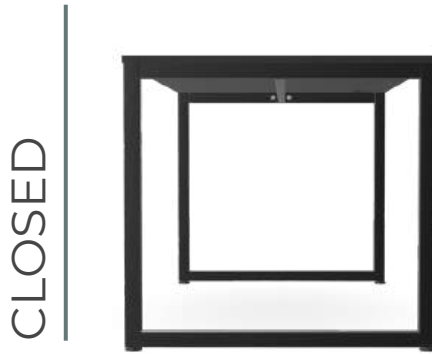
Open Legs:

Embrace a minimalist and airy aesthetic with our Open Legs design. The open framework fosters a sense of space and collaboration, perfect for dynamic workplaces.



Closed Legs:

Opt for the sleek solidity of Closed Legs. This design offers a clean and continuous look, providing enhanced stability and a touch of sophistication to your desk.



A-Frame:

Make a bold statement with the A-Frame legs. Combining modern elegance with robust support, the A-Frame brings contemporary flair and structural integrity to any setting.



Ws.D Key Meeting Tables

Key Meeting Tables embody the pinnacle of flexibility, made to enhance both professional and educational environments. Offered in modular configurations—from single-piece to four-piece arrangements—these tables are engineered to accommodate diverse spatial requirements with precision.

Select dimensions that suit your needs, with widths ranging from 1200mm to 1800mm and depths of 1400mm or 1600mm. Personalise each table with an extensive selection of tabletop finishes and metal base options, ensuring seamless integration with your interior design, whether classic or contemporary.

Exceeding conventional utility, these tables find their place in meeting rooms, collaborative hubs, dining areas, and academic settings. They offer not just a piece of furniture but a versatile solution adaptable to various functions, settings, and styles.

Key Meeting Tables—where form and function converge to inspire productivity and reflect a commitment to quality and versatility.



Your Meeting Room Three Leg Styles

Open Legs:

Ideal for minimalist, contemporary meeting rooms. The airy design promotes openness and collaborative dialogue.



Closed Legs:

Perfect for sleek, cohesive spaces. Offers enhanced stability and a clean look, adding sophistication to your meeting table.



A-Frame:

Makes a bold statement with modern elegance and robust support. Adds distinctive flair, making your table the focal point of the room.



Ws.D Cylinder Base Tables

The Key Cylinder Base Table is designed to enrich a variety of environments. Featuring an elegant oval surface supported by twin cylindrical bases, it offers both stability and a contemporary aesthetic. With generous proportions ranging from 1800mm to 2000mm in width and 1000mm to 1100mm in depth, it provides ample space for diverse activities.

An extensive selection of tabletop materials and finishes allows for seamless integration with your interior décor, whether you favour sleek modernism or timeless elegance. The metal bases are available in various finishes, enabling you to tailor the table to your specific taste.

This table transcends conventional boundaries, making it an ideal addition to meeting rooms, collaborative spaces, breakout areas, and educational settings. Its versatility ensures it not only complements but enhances the functionality and ambience of any space.

Your space, your environment - Key Cylinder Base



Choose Your Top

ROUND TOP

The Key Cylinder Base Table is available with a round tabletop, fostering a harmonious and inclusive atmosphere—ideal for collaborative discussions and dynamic group interactions.



SQUARE TOP

Choose the square tabletop for a modern and structured aesthetic, perfect for creating defined spaces and promoting focused engagements.



TOP FINISHES

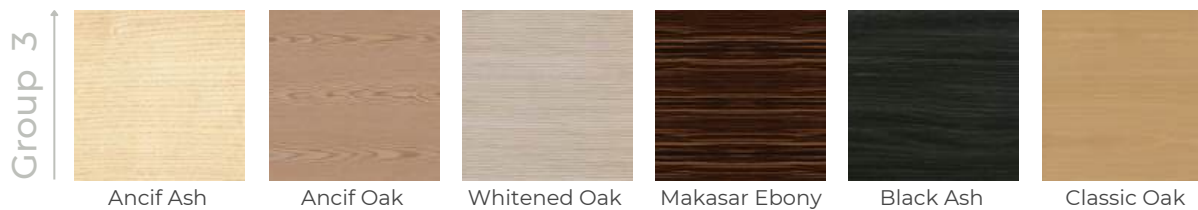
Melamine

A durable material, typically used for most desks. Resistance to scratches and abrasion. Easy to clean.



Veneer

A more authentic finish using a real wood layer. Wood grain can differ from board to board. Protection required from scratches and stains.



*Metal frame available in the same colour

FRAME FINISHES



*Top available in the same colour

MONOCHROME FINISH



FINISHES

SINGLE

For cable management, we recommend our Cable Tray and Cable Spine.



Modesty Panel



CPU Holder



Cable Tray



Cable Spine

BENCH

For cable management, we recommend our Cable Tray and Cable Spine.



Desk Screen



CPU Holder x2



Cable Tray



Cable Spine

DESKTOPS

We recommend portals for single desks and scallops for bench desks.



Plain



Portals

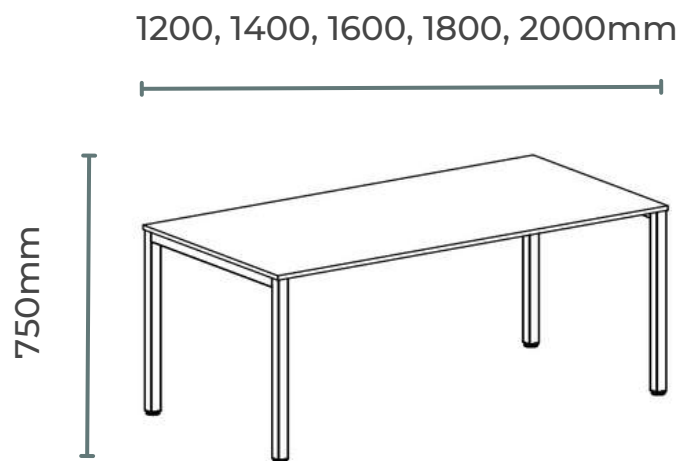


Scallops

SIZES - DESKING

SINGLE

Height & Width

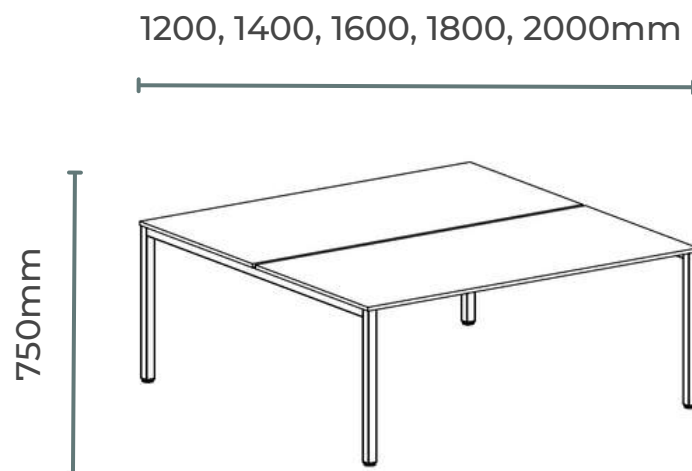


Depth

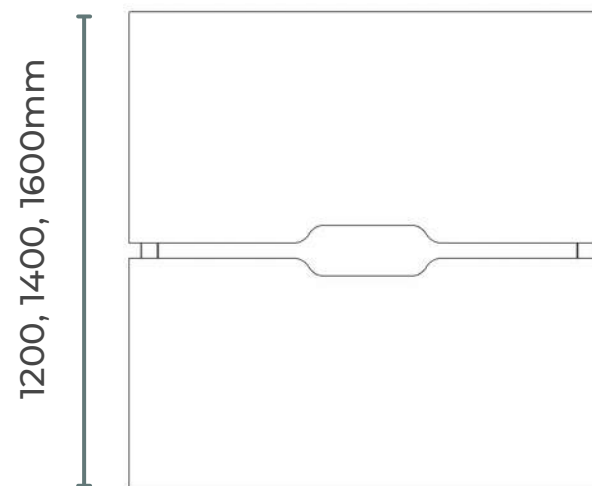


BENCH

Height & Width



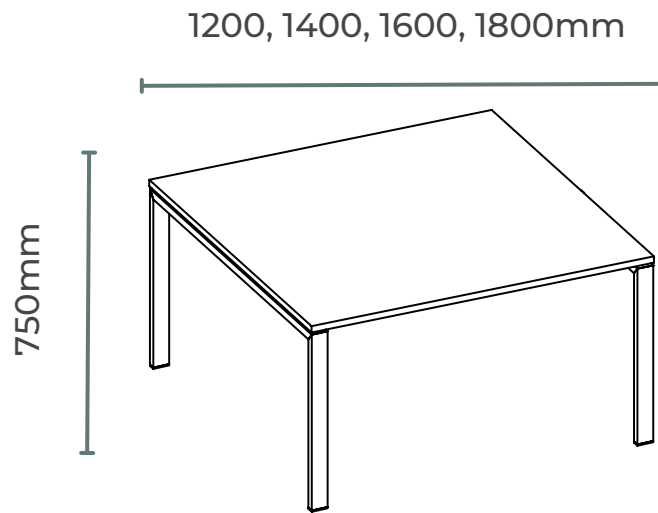
Depth



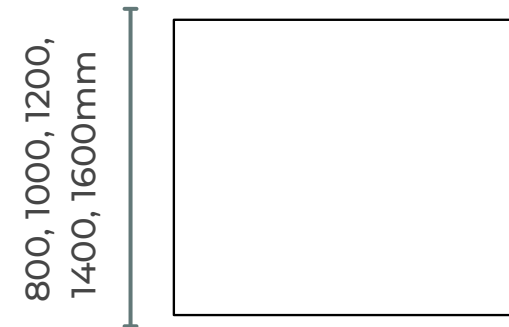
SIZES - TABLES

MEETING ROOM TABLE

Height & Width

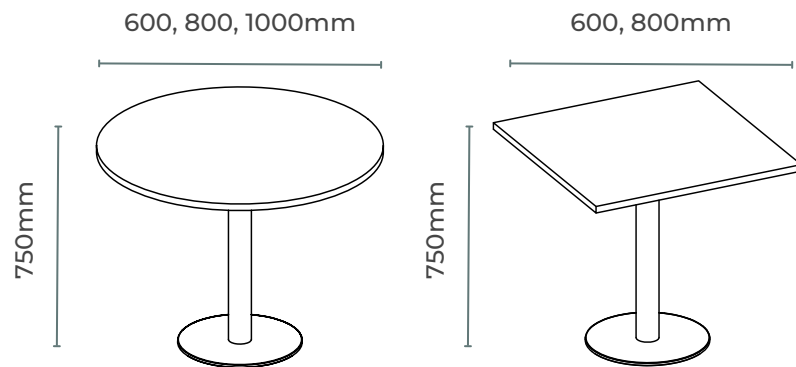


Depth

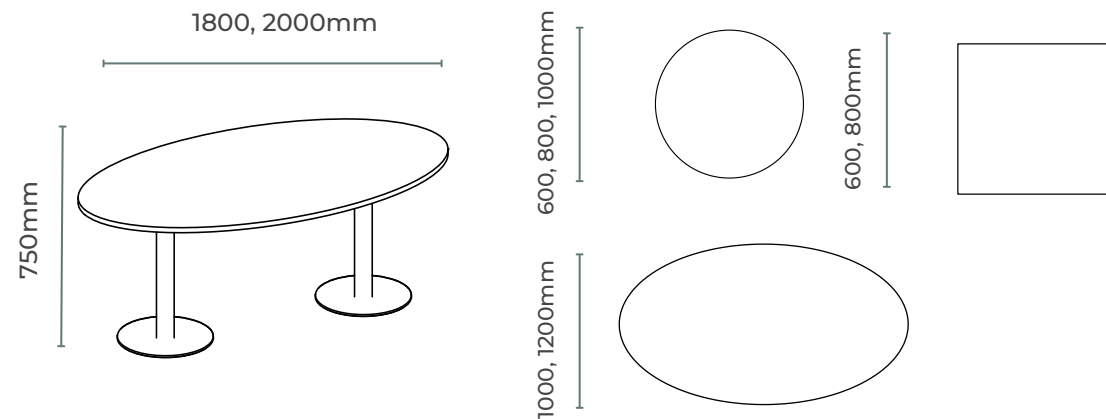


CYLINDER BASE TABLE

Height & Width

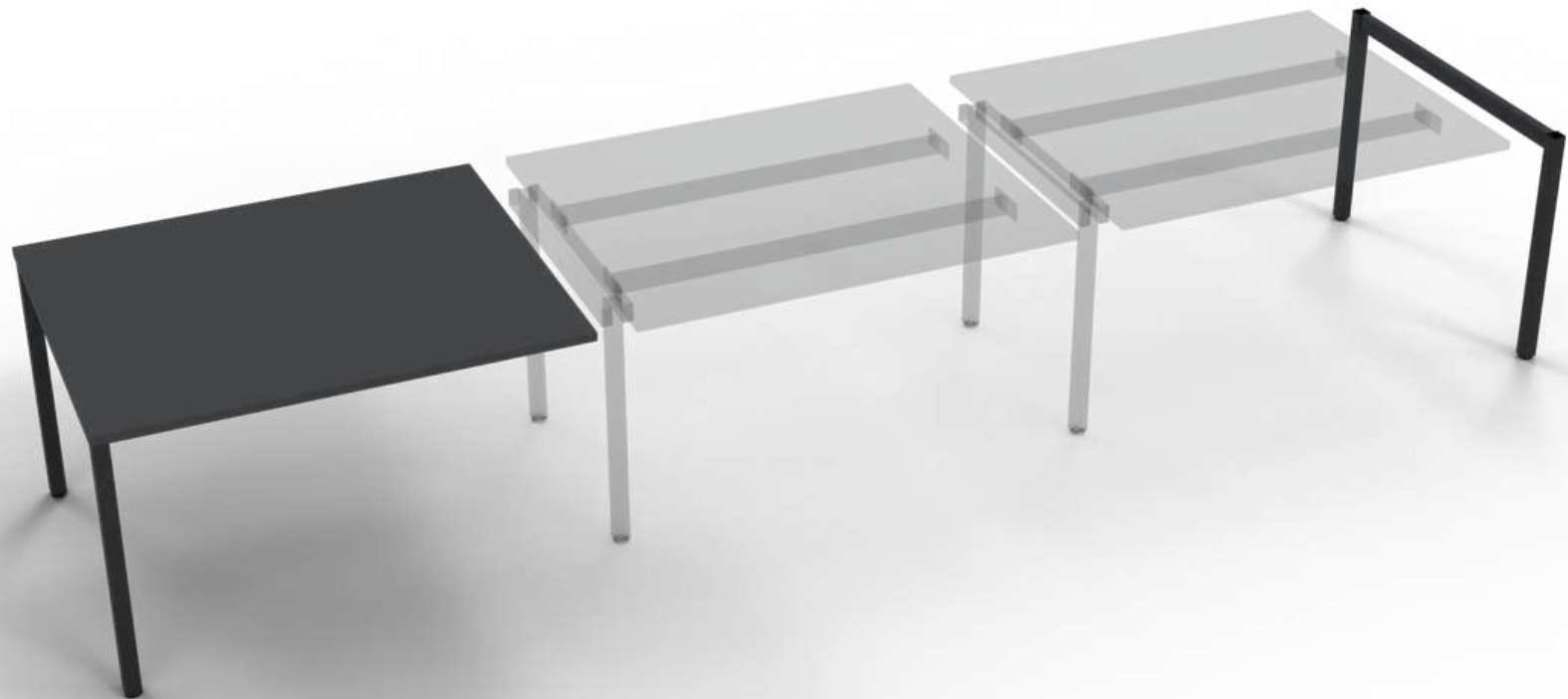


Depth



INFINITE SPACE, ONE EXTEND AWAY

The Key Desking and Table system - a solution that grows with you. Starting with our basic unit, available in 1200mm, 1400mm, 1600mm, and 1800mm lengths, you can customise your workspace to any size. The basic unit serves as your foundation, while our extension units allow you to expand infinitely, adapting to your exact needs. Whether you require a compact desk or an expansive table, there's no limit to how short or long it can be. Experience the freedom of a workspace that truly fits you, with seamless design and endless possibilities.



SUSTAINABILITY

Acknowledging our profound responsibility towards environmental stewardship, we meticulously scrutinise each component, steadfastly adhering to stringent sustainability criteria. Our commitment transcends mere regulatory compliance; we are devoted to perpetual enhancement, continually exploring innovative methodologies to mitigate our ecological impact. From conscientious raw material sourcing to the refinement of manufacturing protocols, our efforts are directed towards nurturing a sustainable paradigm. Aligning with us ensures not only superior products but also an enduring pledge to a more sustainable future.



COMPONENTS

Manufactured in ISO 14001 certified factory



WOOD

Wooden tops are FSC mix-certified

WORK SCALE. DESIGN

Unit A, 82 James Carter Road
Mildenhall Industrial Estate
Suffolk
IP28 7DE
United Kingdom



sales@workscale.design



workscale.design



0044 20 8068 8098