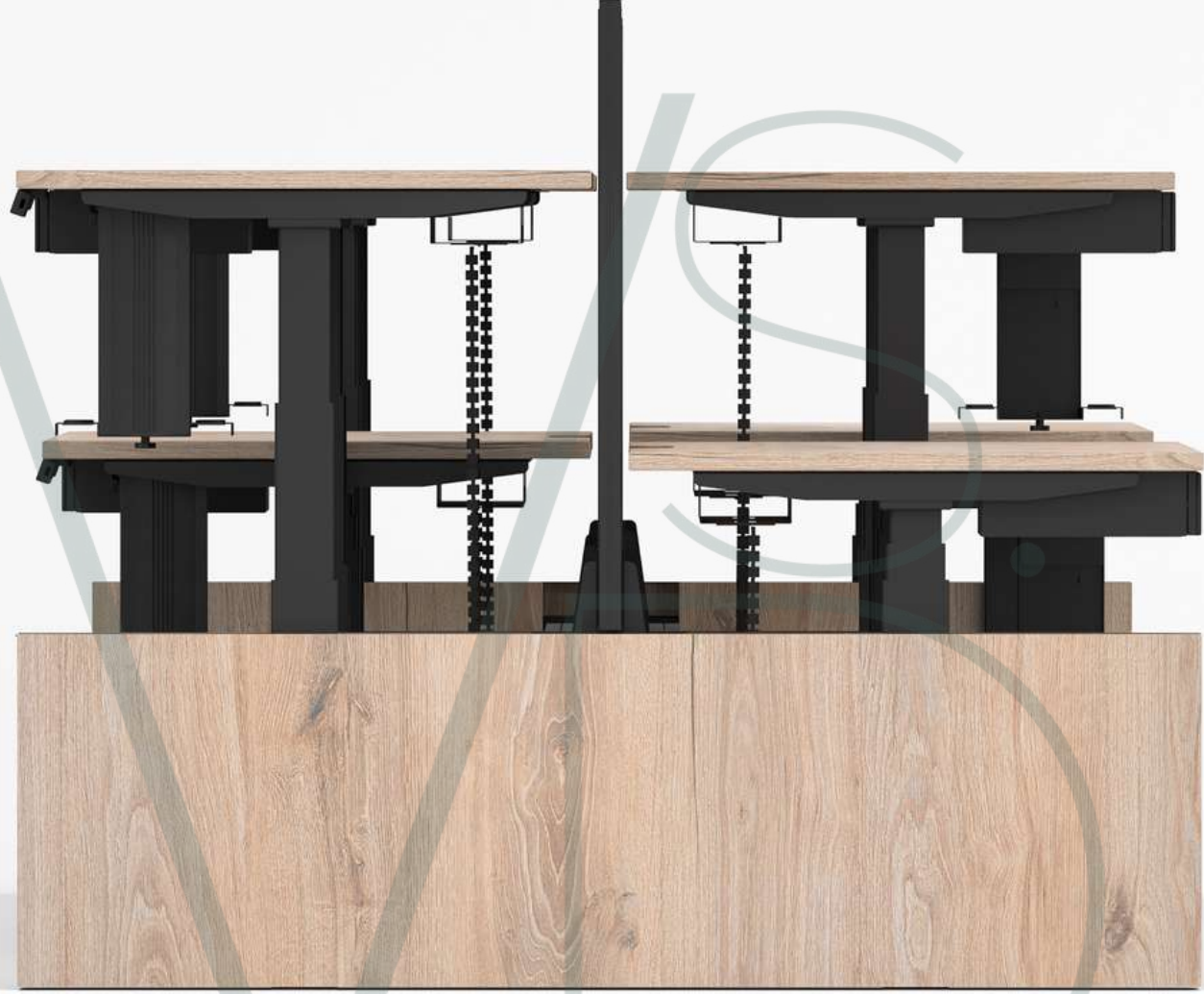


WORK
SCALE.
DESIGN

WS.D LEVO+

HEIGHT ADJUSTABLE DESK





WHY USE LEVO+ ADJUSTABLE DESKS?



Heart Health

Improve blood circulation and lower your risk of heart disease



Back Pain

Improve posture and reduce back pain while engaging key muscle groups



Energy Levels

Boost your productivity by increasing your energy levels



Health

Kick start your metabolism and burn calories throughout the day



Blood Sugar

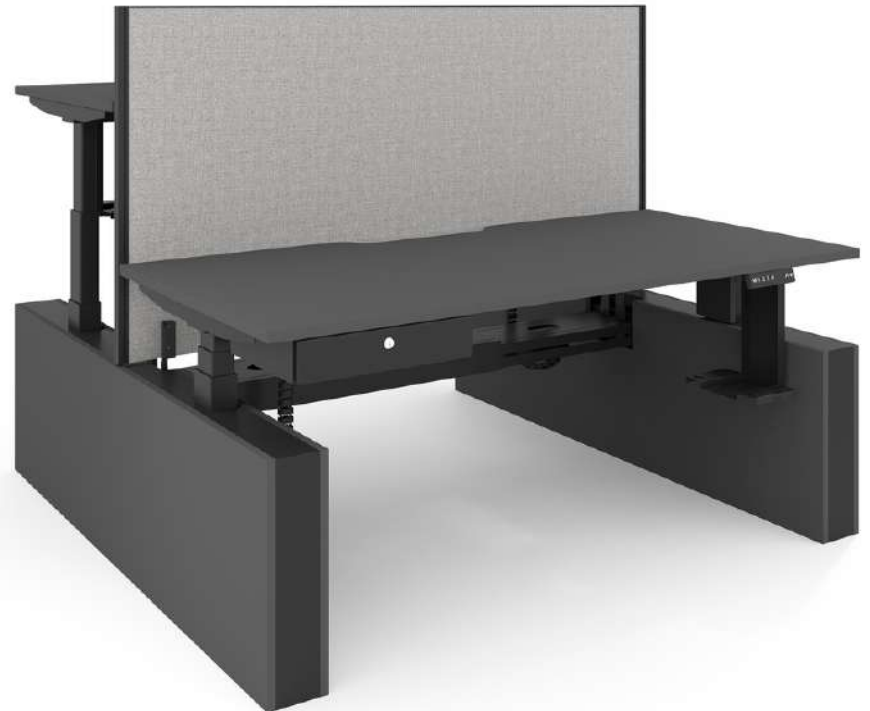
Lower blood sugar levels and risk of type 2 diabetes



SINGLE



BENCH



Max Speed: 40mm/s
Noise level: <45 dB
Input: 110-230V
Anti-collision Type: Gyroscope
Lifting Capacity: 80kg

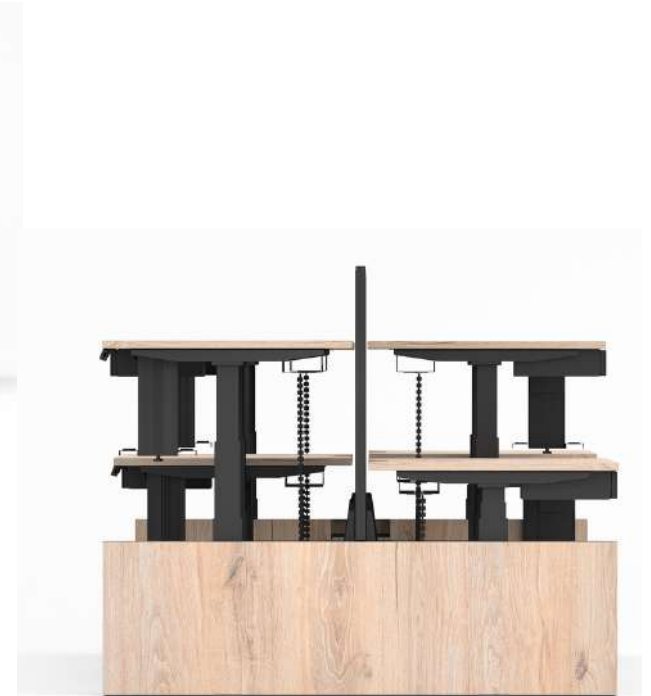
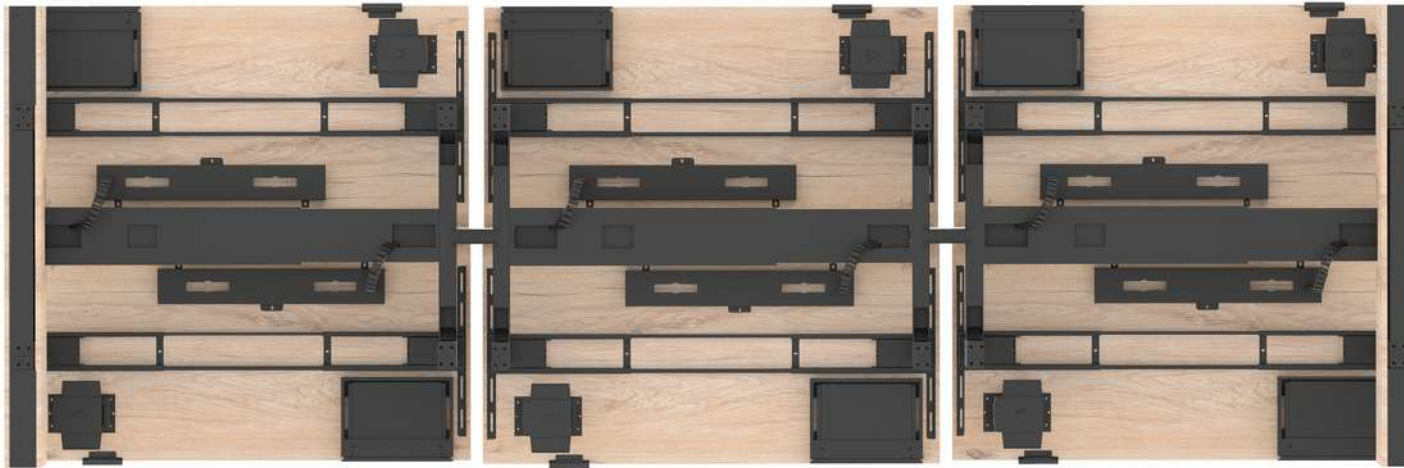
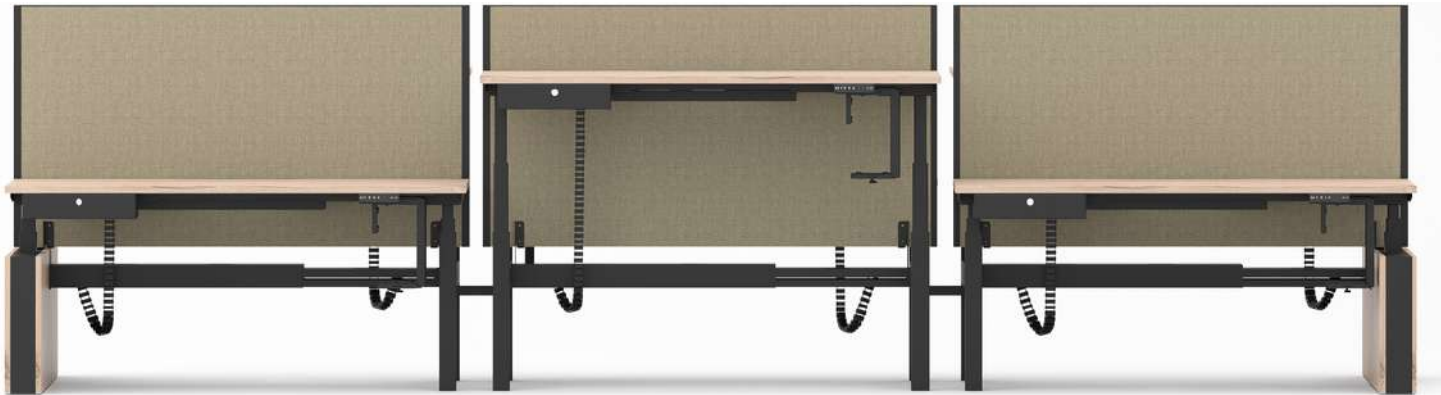


SINGLE



BENCH





BENCH - MODULAR

TOP FINISHES

Melamine

A durable material, typically used for most desks. Resistance to scratches and abrasion. Easy to clean.

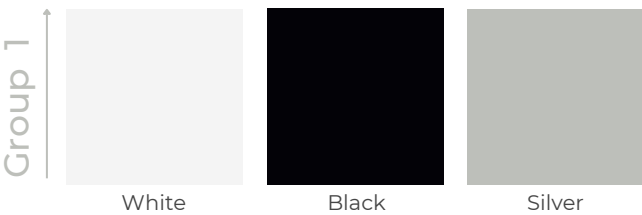


Veneer

A more authentic finish using a real wood layer. Wood grain can differ from board to board. Protection required from scratches and stains.



FRAME FINISHES



SINGLE

For cable management, we recommend our Cable Tray and Cable Spine.



Modesty Panel



CPU Holder



Cable Tray



Cable Spine



Drawer

BENCH

For cable management, we recommend two Cable Trays and two Cable Spines. When creating a modular unit, one connector beam per join.



Desk Screen



CPU Holder x2



Cable Tray x2



Cable Spine x2



Drawers x2



Bench Connector Beam

DESKTOPS

We recommend portals for single desks and scallops for bench desks.



Plain



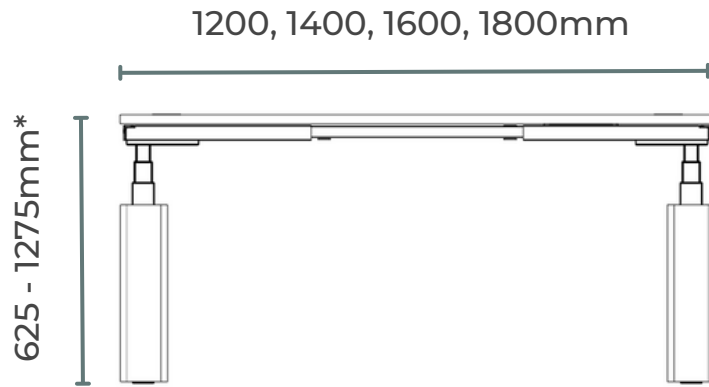
Portals



Scallops

SINGLE

Height & Width



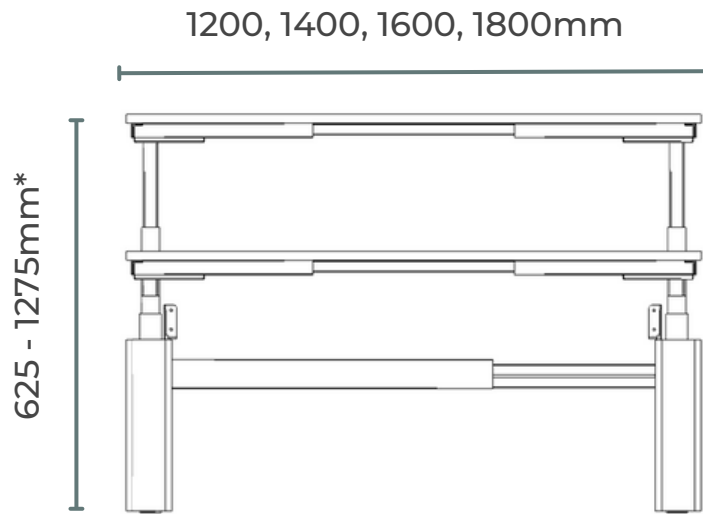
**Not including desktop*

Depth



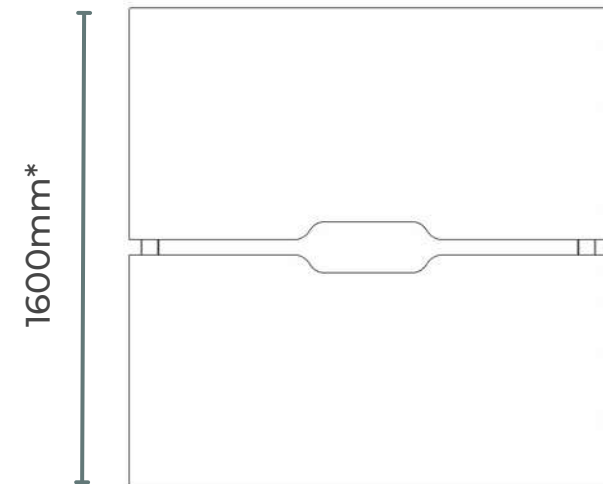
BENCH

Height & Width



**Not including desktop*

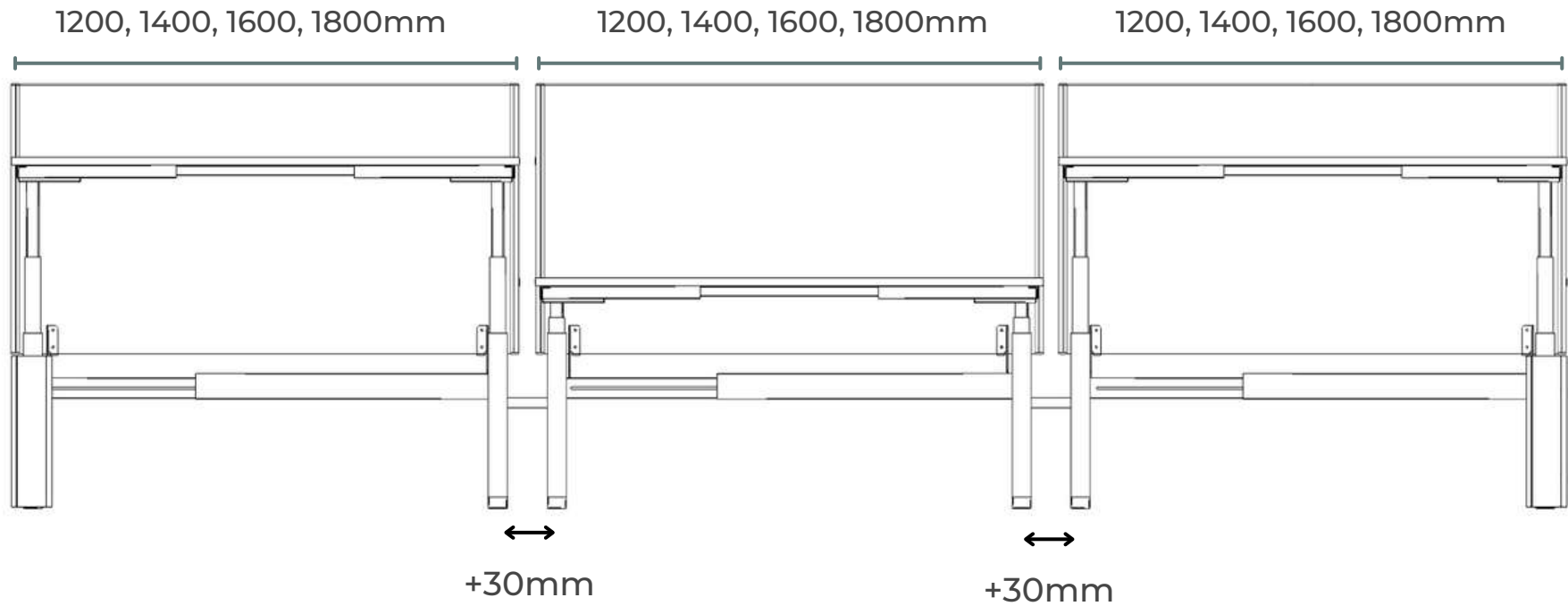
Depth



**Does not include screen gap*

BENCH - MODULAR

Height & Width



Add 30mm to each additional bench frame
with the bench connector beam

WORK SCALE. DESIGN

Unit A, 82 James Carter Road,
Mildenhall Industrial Estate
Suffolk
IP28 7DE
United Kingdom

sales@workscale.design



[workscale.design](https://www.workscale.design)



0044 20 8068 8098

